

FOR LEASE



PYME
PARQUE INDUSTRIAL

INDUSTRIAL BUILDINGS FOR LEASE



10 KVAs

1,203 m²
Lote 10AE

Contact us:

👤 Pedro Mercado

☎ +52 (442) 464 0816

✉ pedromercadopena@gmail.com

🌐 tbq.mx

🌐 parqueindustrialpyme.com.mx

Developed by



1,203 m²

Lote 10AE



BUILDING INFORMATION

LAND AREA

1,182 m²
12,772 ft²

CLEAR HEIGHT

9.2 m

FLOOR THICKNESS

15 cm concrete
MR 35

RAMPS

1

BUILDING AREA

1,203 m²
12,948.98 ft²

DOCKS

1

WALL MATERIAL

Block wall and KR 18
sheet metal wall

KVAs ENERGY POWER

10

SKYLIGHTS

10% Natural
lighting

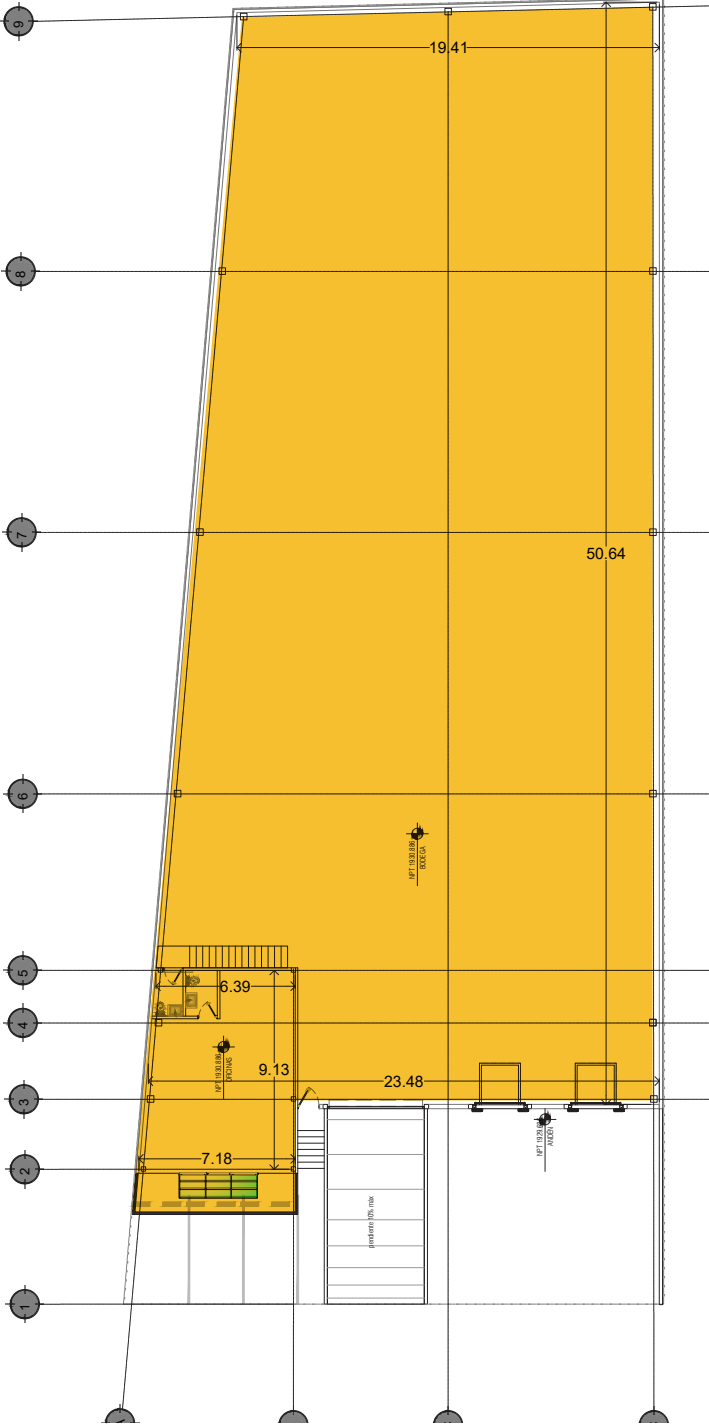
PARKING LOT

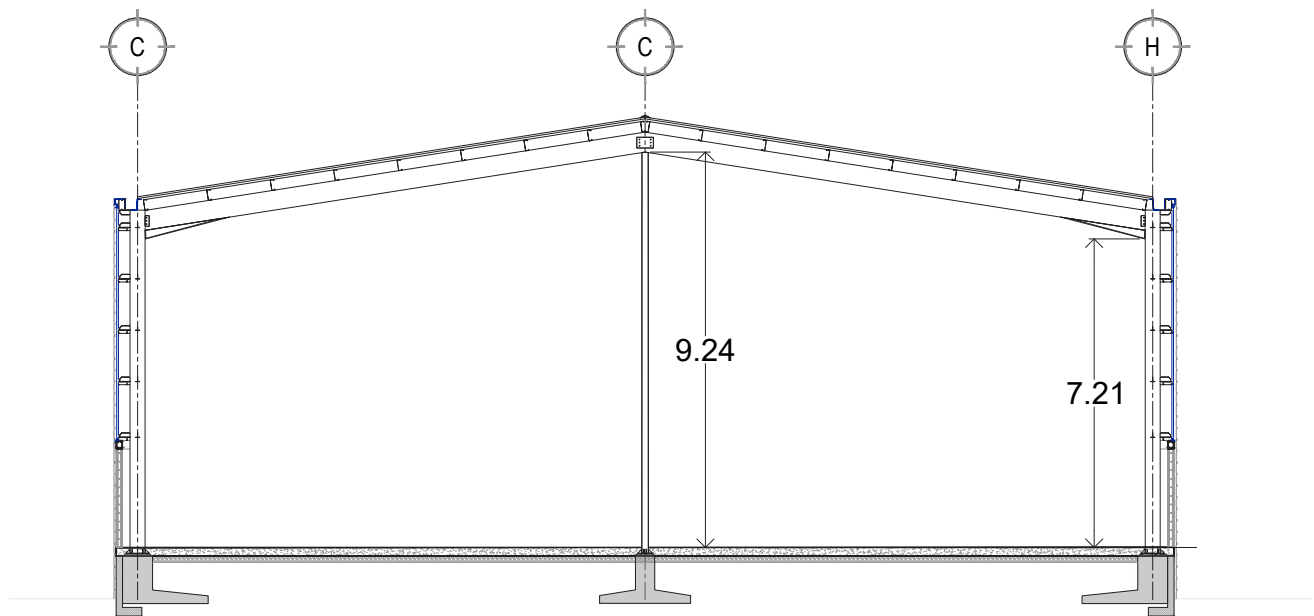
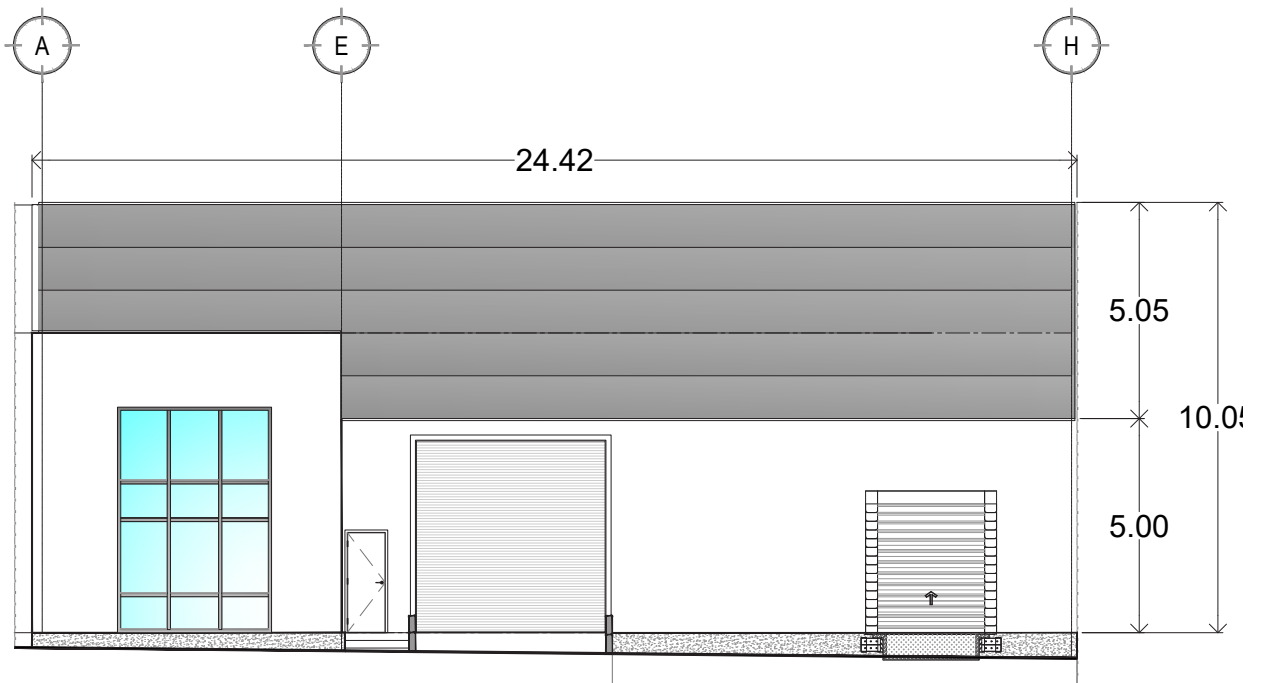
5

ROOF MATERIAL

KR 18 sheet whit 3"
thermoacoustic
insolation mat

BUILDING LAYOUT





ADVANTAGES

Parque Industrial Pyme



Electrical substation

More than 200,000
KVAS in Phase 1



Natural gas

Engie's main pipeline



Immediate property title transfer



Labor force

Communities around
pyme industrial park



PYME Settlers Association

- Surveillance 24/7.
- 38 CCTV Cameras.
- Green area maintenance.
- Streets signage, painting and maintenance.



PARK INFRASTRUCTURE



Electrical substation



Fire fighting equipment



Natural gas



Carriers



Security



Convenience stores



Water wells



Water treatment plant



Restaurant



Medical attention

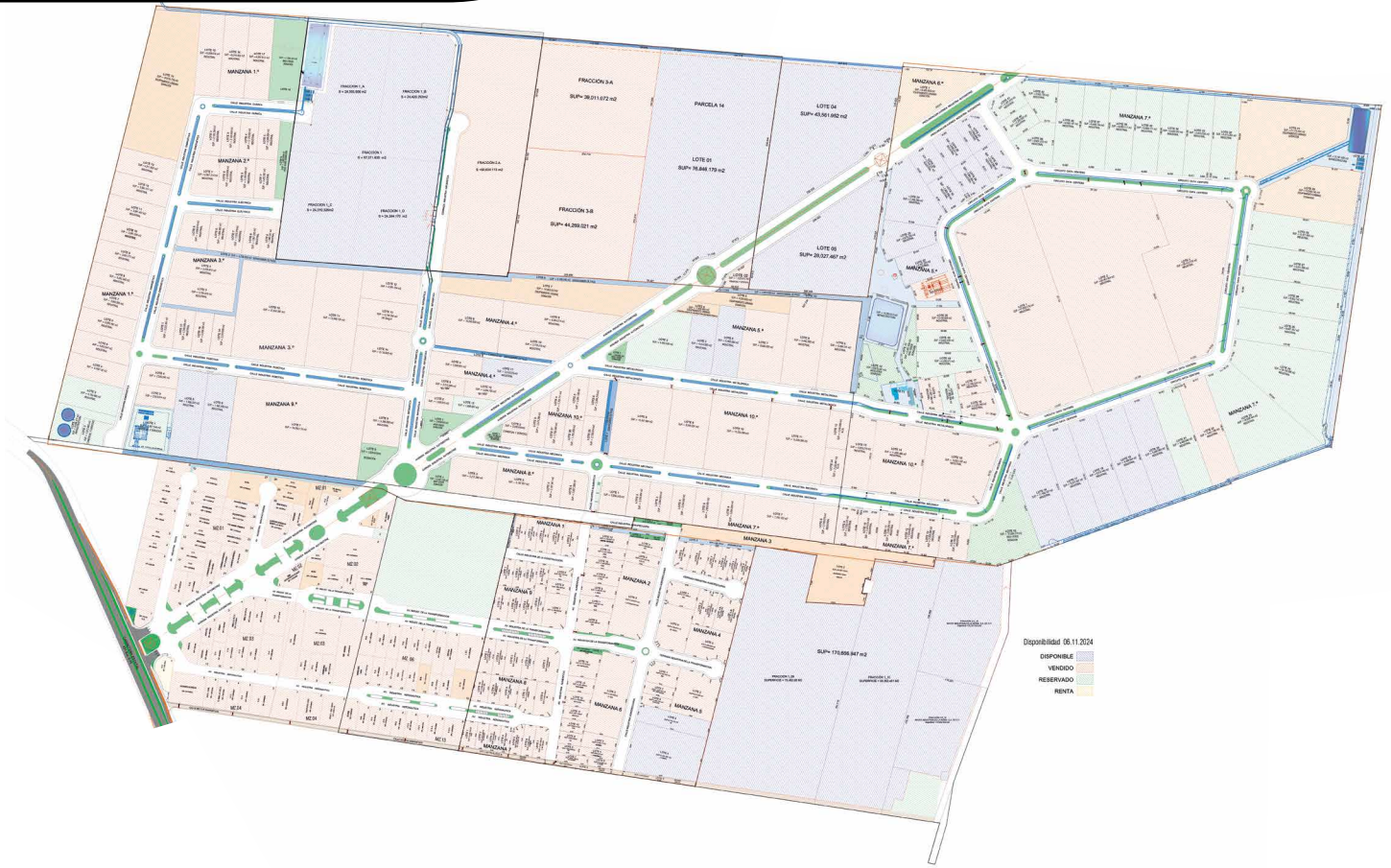


**Settlement Association
Parque industrial PyME**



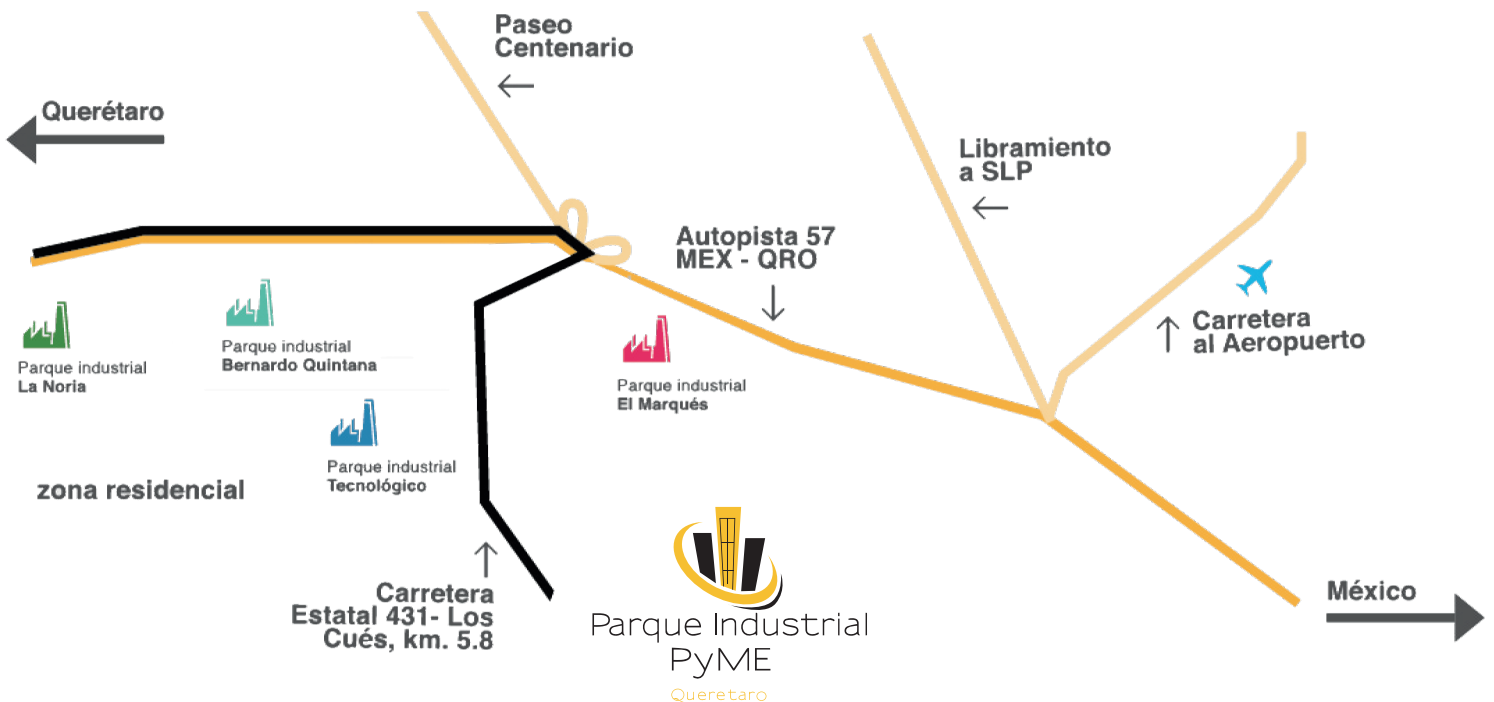
**Click to go
to the virtual tour**

MASTER PLAN



LOCATION

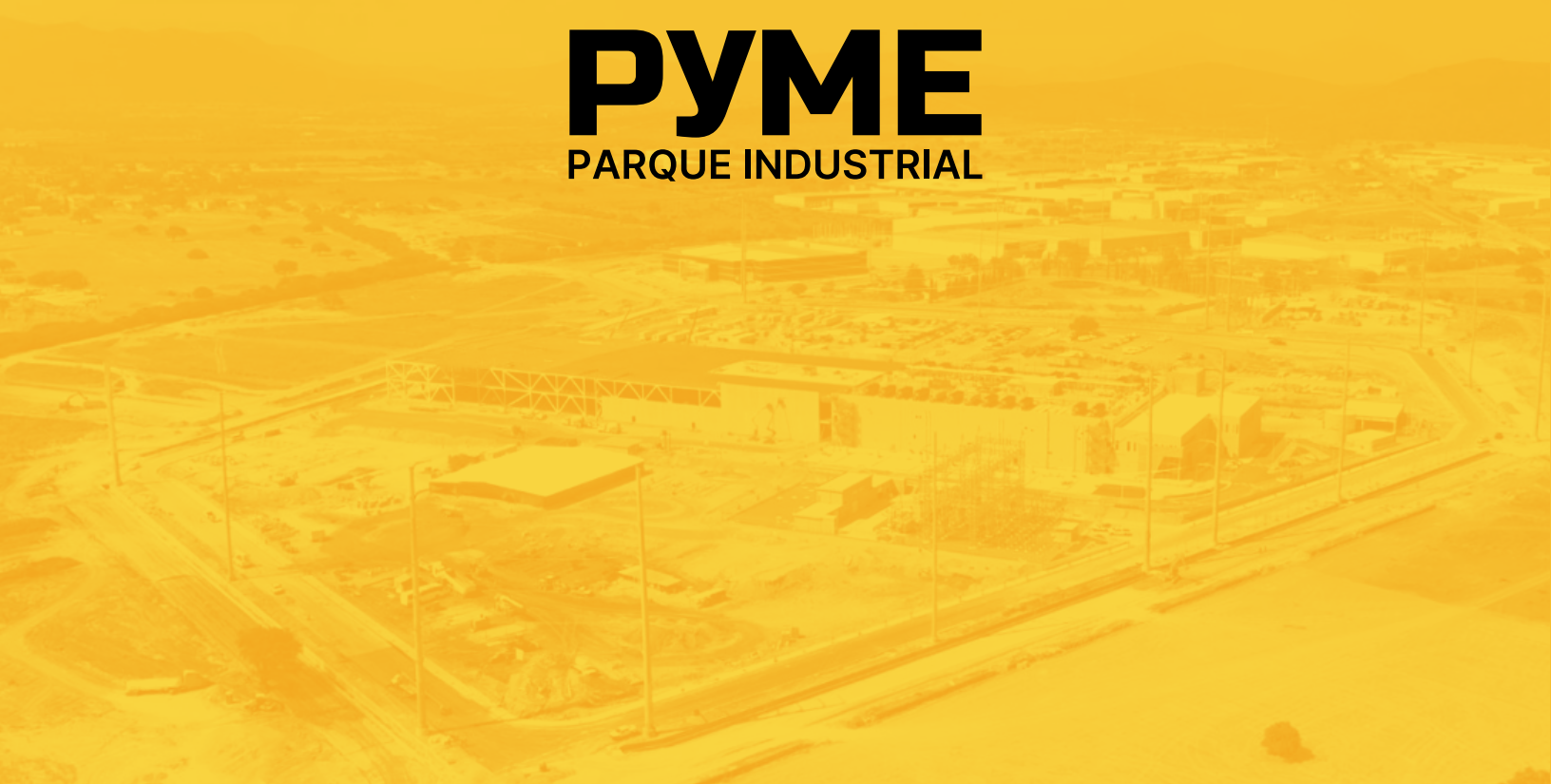
[Click to go to the Google Maps location](#)





PYME

PARQUE INDUSTRIAL



Contact us:

👤 Pedro Mercado

☎ +52 (442) 464 0816

✉ pedromercadopena@gmail.com

🌐 tbq.mx

🌐 parqueindustrialpyme.com.mx

Developed by

